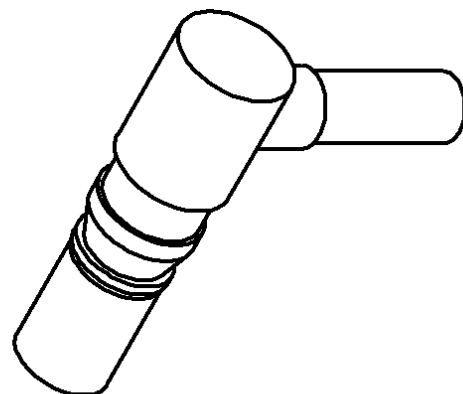
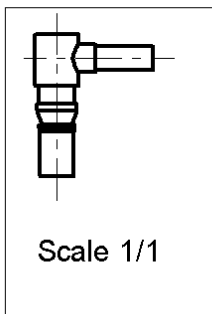
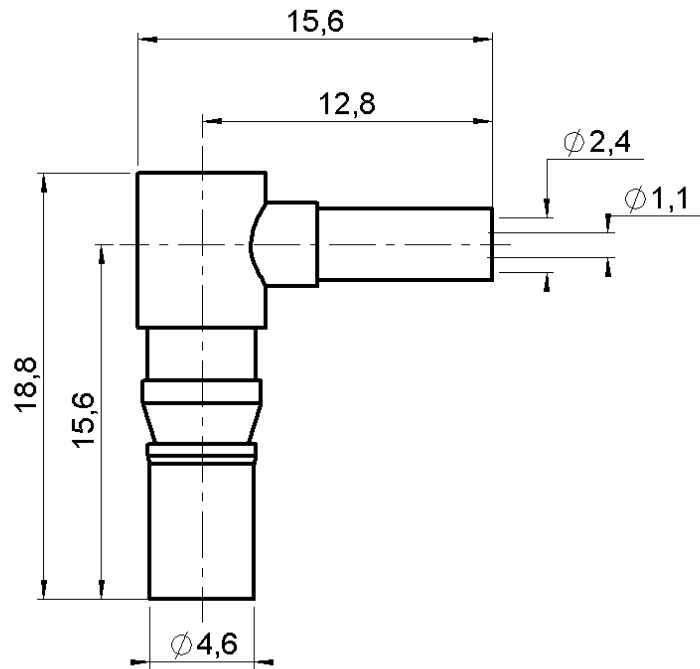


RIGHT ANGLE JACK CRIMP TYPE

R120.352.500

CABLE 2/50

Series : DIN 41626



All dimensions are in mm.

COMPONENTS	MATERIALS	PLATINGS (µm)
BODY	BRASS	GOLD .
CENTER CONTACT	BERYLLIUM COPPER	GOLD .
OUTER CONTACT	BRASS	GOLD .
INSULATOR	PTFE	
GASKET	-	
OTHERS PARTS	-	
.	-	
.	-	
.	-	

Issue : 0128 B

In the effort to improve our products, we reserve the right to make changes judged to be necessary.



RIGHT ANGLE JACK CRIMP TYPE

R120.352.500

CABLE 2/50

Series : **DIN 41626**

PACKAGING

Standard	Unit	Other
100	'W' option	Contact us

SPECIFICATION

ELECTRICAL CHARACTERISTICS

Impedance		50 Ω
Frequency		0-2 GHz
VSWR	1.4 +	0.000 x F(GHz) Maxi
Insertion loss		NA √F(GHz) dB Maxi
RF leakage	- (NA - F(GHz)) dB Maxi
Voltage rating		250 Veff Maxi
Dielectric withstanding voltage		750 Veff mini
Insulation resistance		1000 MΩ mini

CABLE ASSEMBLY

Stripping	a	b	c	d	e	f
mm	1.00	7.00	12.0	0.00	11.0	0.00

Assembly instruction :

Recommended cable(s)
 RG 178
 RG 178 LC
 RG 196
 KX 21

Cable retention

- pull off **40** N mini
 - torque **NA** N.cm

MECHANICAL CHARACTERISTICS

Center contact retention		
Axial force – Mating end	10	N mini
Axial force – Opposite end	10	N mini
Torque	NA	N.cm mini

TOOLING

Part Number	Description	Hexagon
.	.	.
R282.211.000	CRIMPING TOOL	2.67
R282.235.003	CRIMPING DIES	2.67
R282.293.000	CRIMPING TOOL	-

Recommended torque		
Mating	NA	N.cm
Panel nut	NA	N.cm
Clamp nut	NA	N.cm
A/F clamp nut	0.000	mm

Mating life	100	Cycles mini
Weight	2.390	g

OTHERS CHARACTERISTICS

-

ENVIRONMENTAL

Operating temperature	-55/+155	° C
Hermetic seal	NA	Atm.cm3/s
Panel leakage	NA	

Issue : **0128 B**

In the effort to improve our products, we reserve the right to make changes judged to be necessary.



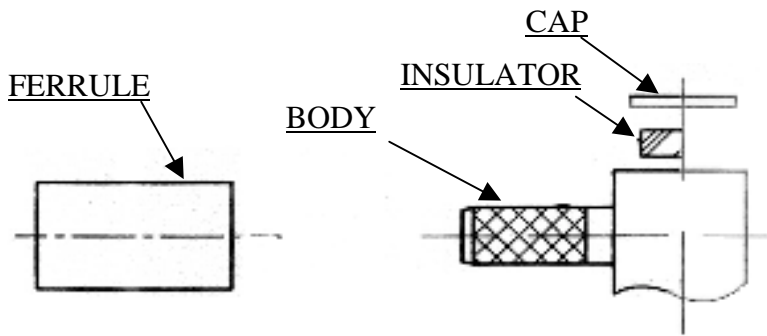
RIGHT ANGLE JACK CRIMP TYPE

R120.352.500

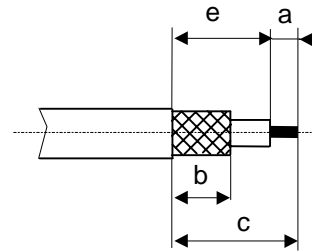
CABLE 2/50

Series : DIN 41626

COMPONENTS

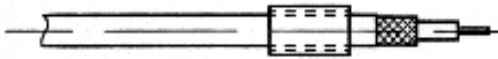


STRIPPING DIMENSIONS



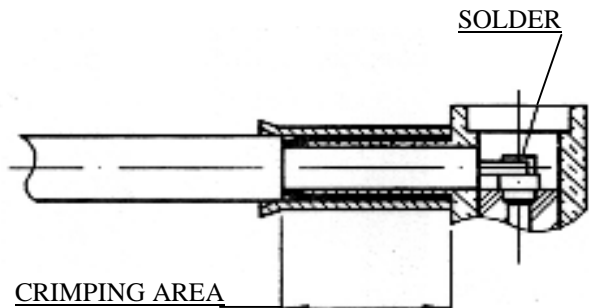
1

- Slide the ferrule onto the cable.
- Strip the cable .



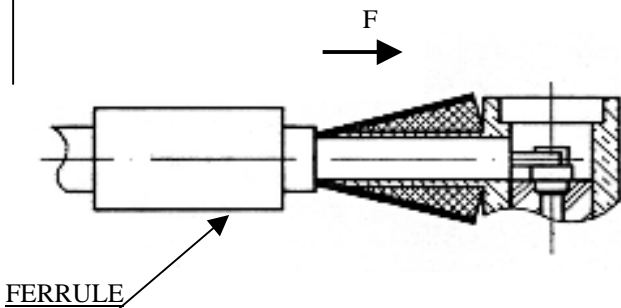
3

- Crimp the ferrule with crimping tool .
- Solder inner conductor.



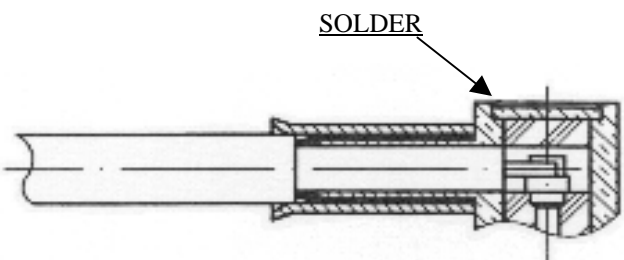
2

- Fan the braid.
- Push connector body under the braid.
- Slide the ferrule on the braid (in direction F)



4

- Place insulator into body.
- Place and solder the cap.



Issue : 0128 B

In the effort to improve our products, we reserve the right to make changes judged to be necessary.

